

NabzSense

Automatic
Blood Pressure Monitor

High Measuring Accuracy
IRAN M.O.H Production Certificate



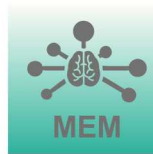
World Health Indicator



Irregular Heart Rate Indicator



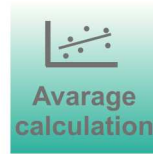
+ Adapter



2x30 Memory



Time and date Setting



Results Average Calculation



Low noise Pump



2 Years Fully Guaranty

NabzSense

NabzSense

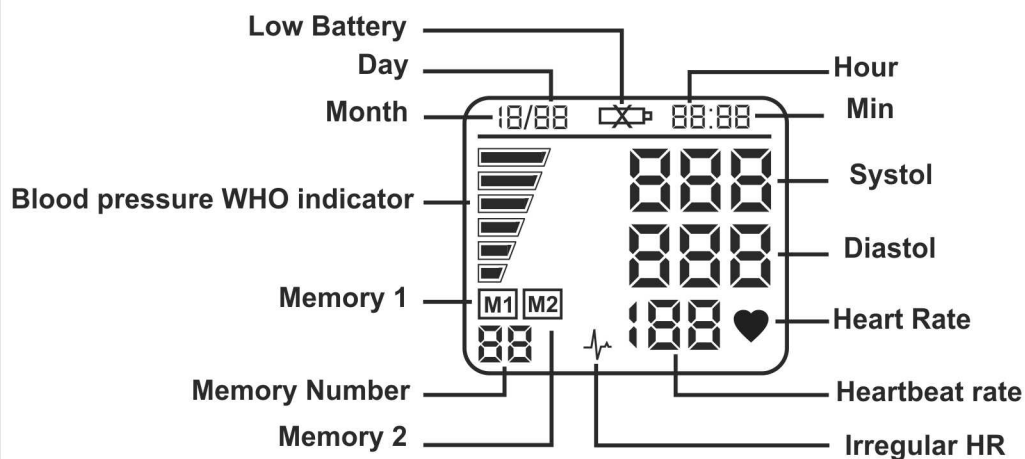
NabzSense

Automatic Blood Pressure Monitor

Features

NB-01	Model
160*90*60	Size
280 gr. without Battery	Weight
90%> humidity>15% +50°C > Temp.>-5 °C	Storage condition
90%> humidity>15% +40°C > Temp.>+10 °C	Use condition
Oscilometric	Measuring
50-260mmHg	Systolic range
30-200 mmHg	Diastolic range
40-180rate/min	Heart rate range
Yes	Irregular Heart Rate
2x30 memories	Memory
±3mmHg	Pressure accuracy
Pulse rate: %5± BP:±8mmHg	Measuring accuracy
22-32 CM	Cuff size
4* batteries 1.5v Alkaline AA LR6	Battery
400 test depend on Blood pressure	Battery Life time
9VDC-1000mA ⊖ ⊕	Adaptor

NabzSense



NabzSense